

PLEASE CHECK WWW.MOLEX.COM FOR LATEST PART INFORMATION

Part Number: [0533531071](#)
Status: **Active**
Description: 0.80mm (.031") Pitch Header, Surface Mount, Dual Row, Vertical Stacking, 7.00 and 8.00mm (.276 and .315") Stacking Heights, Lead-free, 10 Circuits

Documents:

[3D Model](#) [Product Specification PS-52465-010 \(PDF\)](#)
[Drawing \(PDF\)](#) [RoHS Certificate of Compliance \(PDF\)](#)

General

| | |
|----------------|-----------------------|
| Product Family | PCB Headers |
| Series | 53353 |
| Application | Board-to-Board |
| Product Name | N/A |

Physical

| | |
|--------------------------------|-----------------------|
| Breakaway | No |
| Circuits (Loaded) | 10 |
| Circuits (maximum) | 10 |
| Durability (mating cycles max) | 30 |
| Glow-Wire Compliant | No |
| Lock to Mating Part | None |
| Mated Height (in) | 0.276 In |
| Mated Height (mm) | 7.00 mm |
| Material - Metal | Phosphor Bronze |
| Material - Plating Mating | Tin |
| Material - Plating Termination | Tin |
| Number of Rows | 2 |
| Orientation | Vertical |
| PCB Locator | No |
| PCB Retention | None |
| Packaging Type | Embossed Tape on Reel |
| Pitch - Mating Interface (in) | 0.031 In |
| Pitch - Mating Interface (mm) | 0.80 mm |
| Polarized to PCB | No |
| Stackable | No |
| Temperature Range - Operating | -20°C to +105°C |
| Termination Interface: Style | Surface Mount |

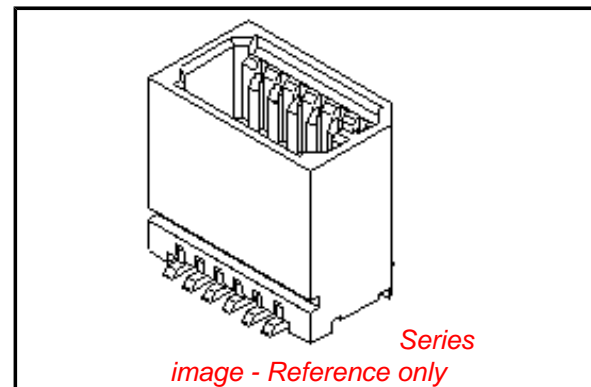
Electrical

| | |
|-------------------------------|------|
| Current - Maximum per Contact | 0.5A |
| Voltage - Maximum | 50V |

Material Info

Reference - Drawing Numbers

| | |
|-----------------------|--|
| Product Specification | PS-52465-010, RPS-52465-042, RPS-52465-044 |
| Sales Drawing | SD-53353-003, SD-53353-004 |



EU RoHS

**ELV and RoHS
Compliant**
REACH SVHC
 Not Reviewed
**Halogen-Free
Status**
 Not Reviewed

China RoHS



**Need more information on product
environmental compliance?**

Email productcompliance@molex.com
 For a multiple part number RoHS Certificate of Compliance, [click here](#)

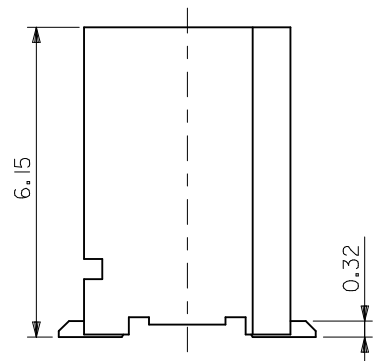
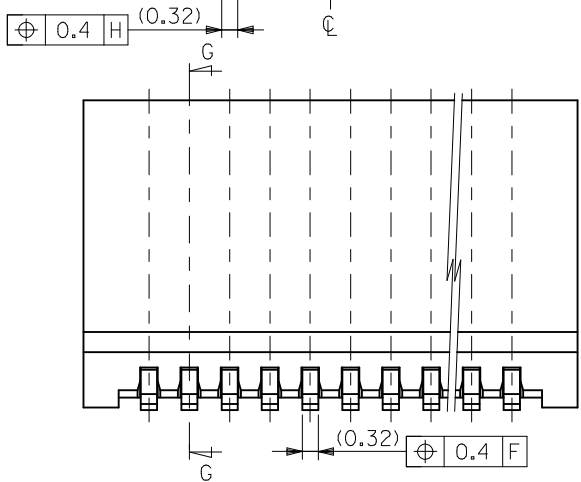
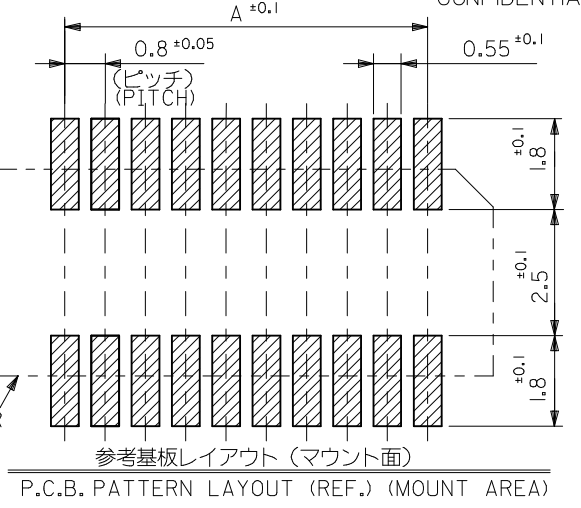
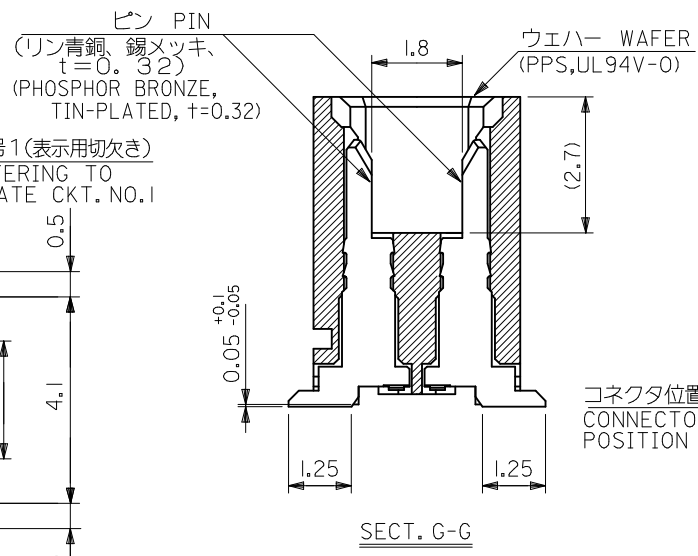
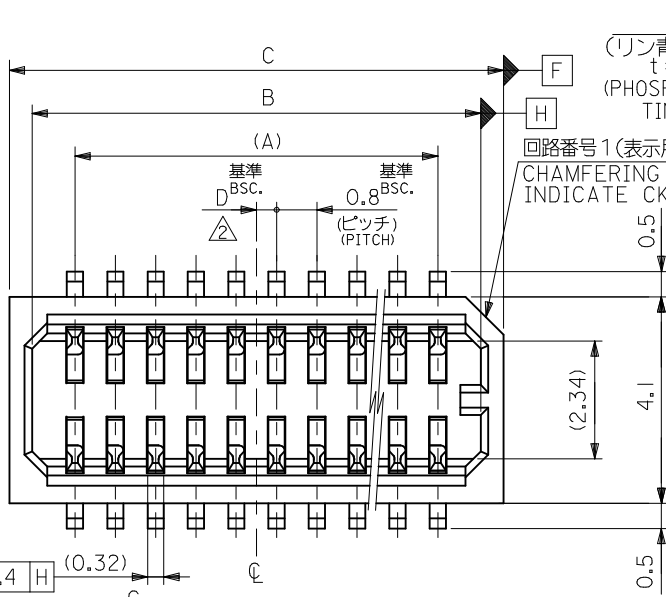
Please visit the [Contact Us](#) section for any non-product compliance questions.

Search Parts in this Series

[53353Series](#)

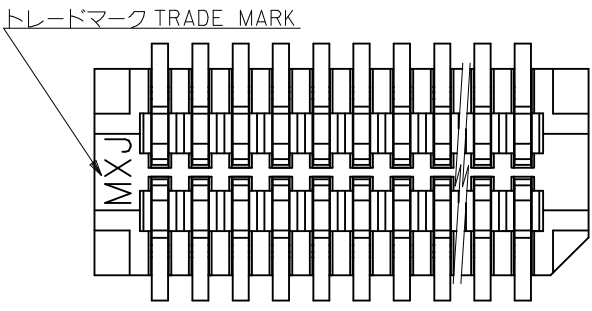
Mates With

[52465 PCB Receptacle](#)



- 注記 NOTES
1. 嵌合相手: 52465, 52588 シリーズ
MATES WITH : 52465, 52588 SERIES
 2. ウェハーの ϕ から隣接するピンの ϕ 迄の位置を示す。
SHOW POSITION FROM ϕ OF WAFER TO ϕ OF ADJACENT PINS.
 3. ELV 及び RoHS 適合品。
ELV AND ROHS COMPLIANT.
 4. テール平坦度: 0.1MAX.
COPLANARITY : 0.1MAXIMUM

| | | | | | | |
|-----|------|------|------|-----------------------------------|------------------|---------|
| 0.4 | 17.8 | 16.9 | 15.2 | --- | 53353-4071 | 40 |
| 0.4 | 16.2 | 15.3 | 13.6 | --- | 53353-3671 | 36 |
| 0.8 | 13.8 | 12.9 | 11.2 | 53353-3029 | 53353-3071 | 30 |
| 0.4 | 13.0 | 12.1 | 10.4 | --- | 53353-2871 | 28 |
| 0.8 | 10.6 | 9.7 | 8.0 | --- | 53353-2271 | 22 |
| 0.4 | 9.8 | 8.9 | 7.2 | --- | 53353-2071 | 20 |
| 0.8 | 9.0 | 8.1 | 6.4 | --- | 53353-1871 | 18 |
| 0.4 | 8.2 | 7.3 | 5.6 | --- | 53353-1671 | 16 |
| 0.8 | 7.4 | 6.5 | 4.8 | --- | 53353-1471 | 14 |
| 0.4 | 6.6 | 5.7 | 4.0 | --- | 53353-1271 | 12 |
| 0.8 | 5.8 | 4.9 | 3.2 | --- | 53353-1071 | 10 |
| D | C | B | A | TRAY PACKAGE | EMBOSSED PACKAGE | 極数 |
| | | | | オーダー番号 | ORDER NO. | CIRCUIT |
| | | | | CONNECTOR SERIES No. : 53353-**29 | | |

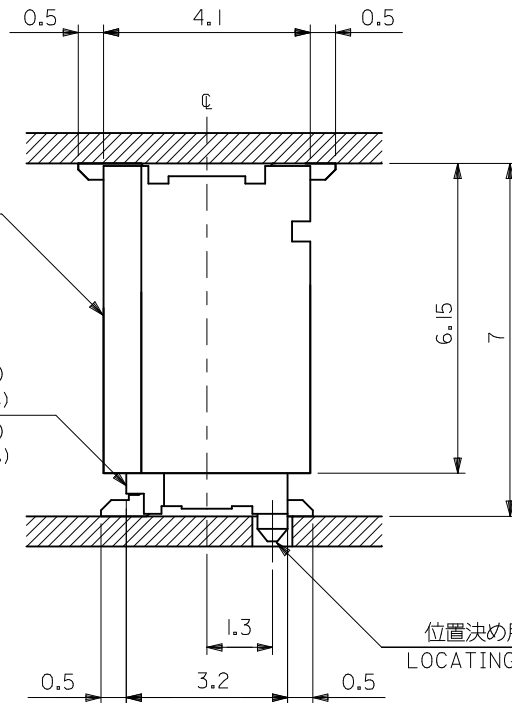


| | | | | | | | |
|---|---------------------|--|--|---|--|------------------------|--|
| REVISED EC NO: J2010-0376 DRWN:TKAIHO 2009/09/25 CHKD:SMARUYAMA 2009/09/25 APPR:MSASAO 2009/09/25 | DESCRIPTION | GENERAL TOLERANCES (UNLESS SPECIFIED) | DIMENSION STYLE | SCALE | DESIGN UNITS | THIRD ANGLE PROJECTION | |
| | REV | 10 UNDER \pm --- | MM ONLY | --- | METRIC | | |
| | | 10 OVER 30 UNDER \pm --- | DRAWN BY: Y. WADA DATE: 2004/3/4 | TITLE | 0.8 B/B CONN. WAFER ASSY ST. SMT(WITHOUT BOSS) | | |
| | | 30 OVER \pm --- | CHECKED BY: M. SASAO DATE: 2004/3/4 | APPROVED BY: M. SASAO DATE: 2004/3/4 | MOLEX INCORPORATED | | |
| | ANGULAR \pm --- ° | DRAFT WHERE APPLICABLE MUST REMAIN WITHIN DIMENSIONS | MATERIAL NO. | SEE CHART | DOCUMENT NO. | SHEET NO. | |
| | | | SIZE | THIS DRAWING CONTAINS INFORMATION THAT IS PROPRIETARY TO MOLEX INCORPORATED AND SHOULD NOT BE USED WITHOUT WRITTEN PERMISSION | | | |
| | | | A3 | SD-53353-003 | | | |

53353-***29 (位置決め用ボス無)
(WITHOUT LOCATING BOSS)

嵌合相手 MATES WITH
52465-***19 (位置決め用ボス付)
(WITH LOCATING BOSS)

52465-***29 (位置決め用ボス無)
(WITHOUT LOCATING BOSS)

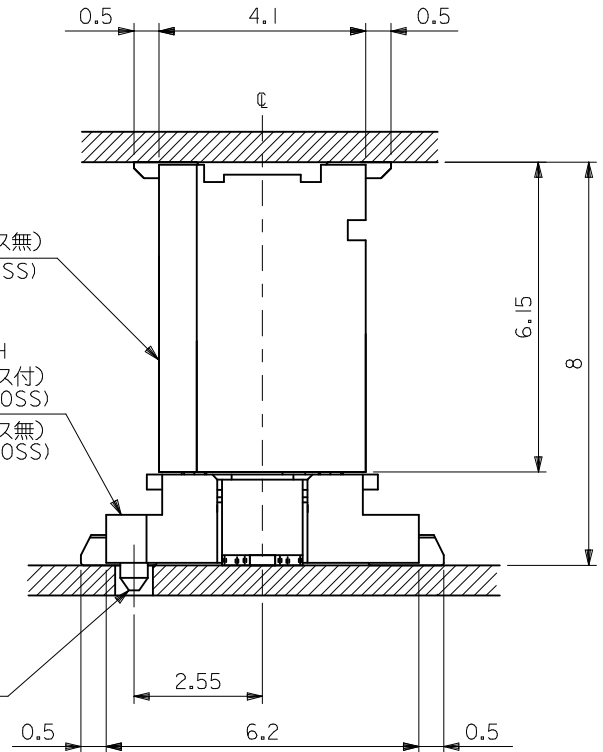


53353-***29 (位置決め用ボス無)
(WITHOUT LOCATING BOSS)

嵌合相手 MATES WITH
52588-**** (位置決め用ボス付)
(WITH LOCATING BOSS)

52588-**** (位置決め用ボス無)
(WITHOUT LOCATING BOSS)

位置決め用ボス
LOCATING BOSS



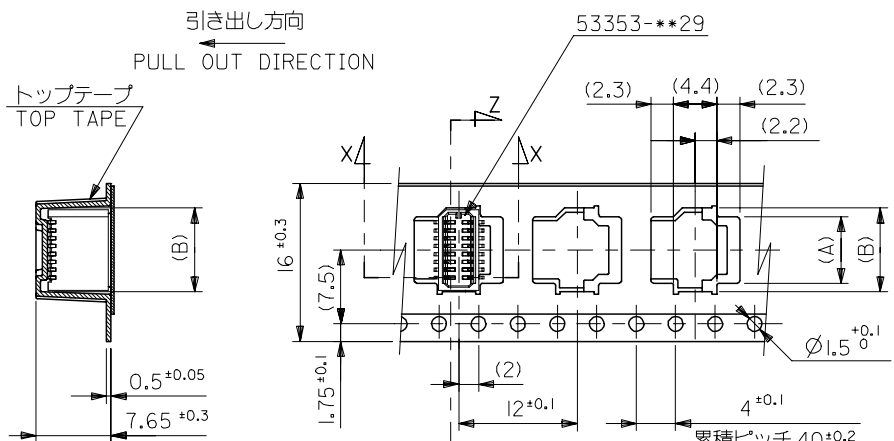
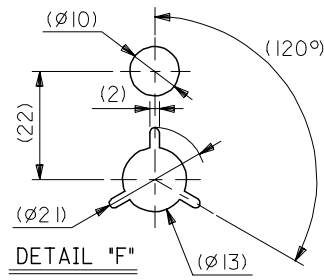
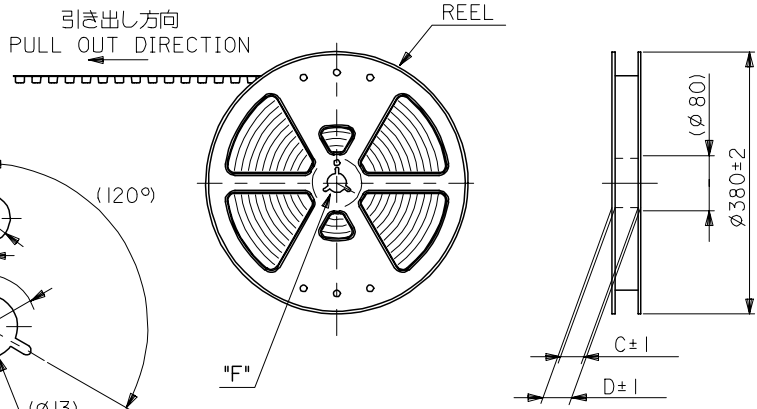
嵌合状態図 (参考)
MATED DRAWING (REF.)

| | | |
|---------|-------------------|------------|
| REVISED | EC NO: J2010-0376 | 2009/09/25 |
| | DRWN:TKAIHO | 2009/09/25 |
| | CHKD:SMARUYAMA | 2009/09/25 |
| | APPR:MSASAO | 2009/09/25 |
| REV | DESCRIPTION | |
| A | | |

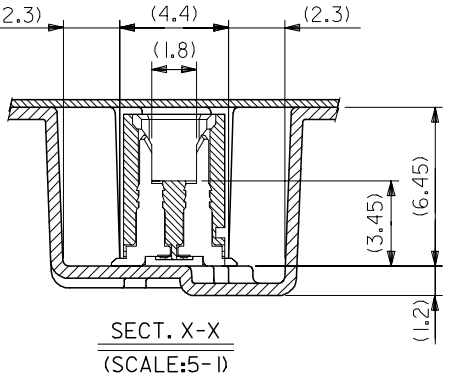
| | |
|--|---------|
| GENERAL TOLERANCES (UNLESS SPECIFIED) | |
| 10 UNDER | ± --- |
| 10 OVER 30 UNDER | ± --- |
| 30 OVER | ± --- |
| ANGULAR | ± --- ° |
| DRAFT WHERE APPLICABLE MUST REMAIN WITHIN DIMENSIONS | |

| | |
|----------------------------|----------|
| DIMENSION STYLE MM ONLY | |
| DRAWN BY | DATE |
| Y. WADA | 2004/3/4 |
| CHECKED BY | DATE |
| M. SASAO | 2004/3/4 |
| APPROVED BY | DATE |
| M. SASAO | 2004/3/4 |
| MATERIAL NO. | |
| SEE CHART | |
| SIZE | |
| A3 | |

| | | |
|--|------------------------|---------------------------|
| CONNECTOR SERIES No. : 53353-***29 | | |
| SCALE --- | DESIGN UNITS METRIC | THIRD ANGLE PROJECTION |
| TITLE 0.8 B/B CONN. WAFER ASSY ST. SMT(WITHOUT BOSS) | | |
| MOLEX INCORPORATED | | |
| DOCUMENT NO. SD-53353-003 | SHEET NO. 2 OF 2 | |
| THIS DRAWING CONTAINS INFORMATION THAT IS PROPRIETARY TO MOLEX INCORPORATED AND SHOULD NOT BE USED WITHOUT WRITTEN PERMISSION | | |



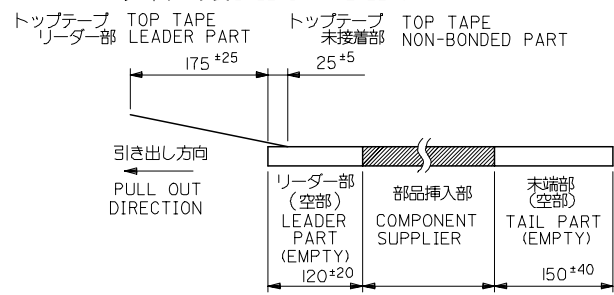
SECT. Z-Z



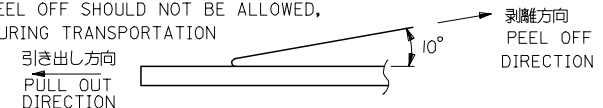
SECT. X-X
(SCALE:5-1)

注記 NOTES

1. 梱包数量：1000個/リール NUMBER OF CONNECTORS:1000PCS/REEL
2. リードテープ長さ LEAD TAPE LENGTH



3. トップテープの剥離強度：(剥離方向は下図参照)
0. 1~1. 3N {10~130gf} 尚、本規格値は、出荷時に適用。
(但し、輸送時に剥離が発生しない事。)
PEELING OFF FORCE OF TOP TAPE
0. 1~1. 3N {10~130gf} (PEELING DIRECTION AS SHOWN IN FOLLOWING FIG.)
THIS REQUIREMENT SHOULD BE APPLIED AT SHIPMENT
PEEL OFF SHOULD NOT BE ALLOWED,
DURING TRANSPORTATION

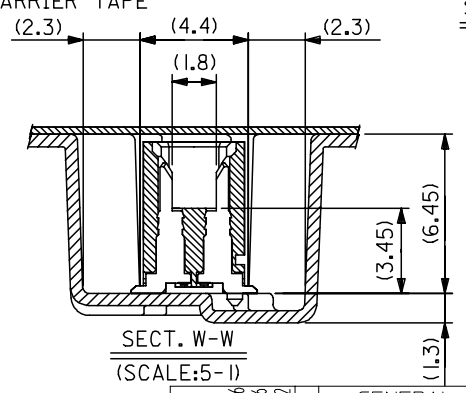
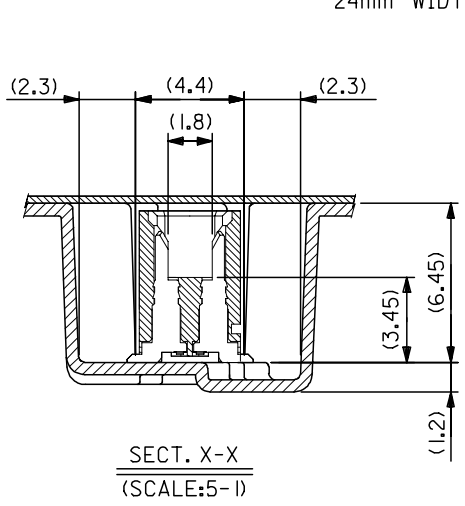
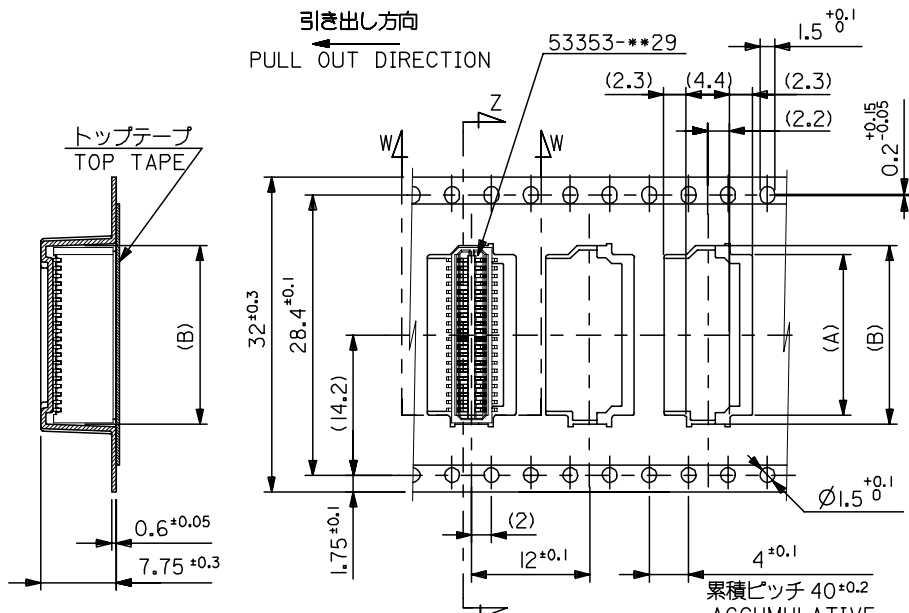
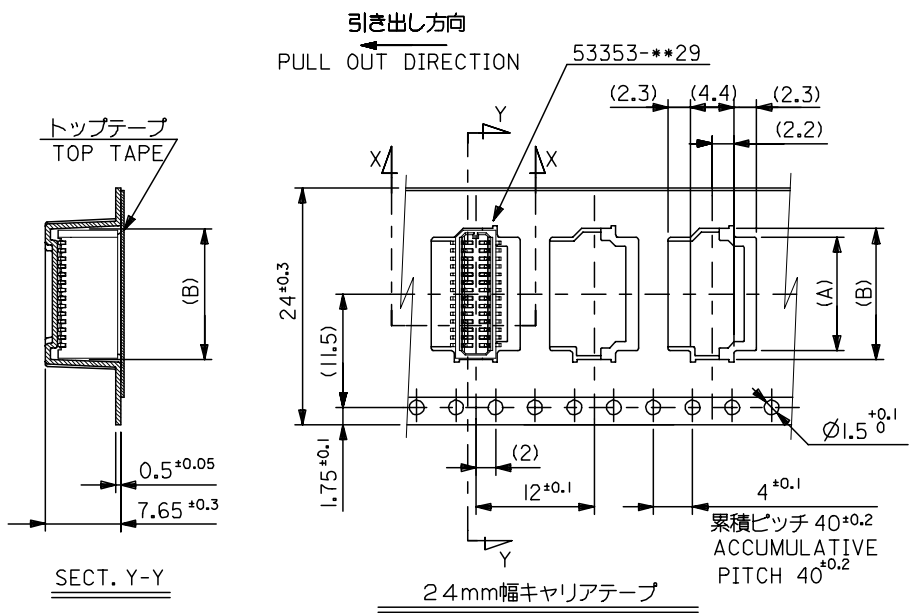


4. 材料 MATERIAL
キャリアテープ：ポリプロピレン (PP) CARRIER TAPE:POLYPROPYLENE
トップテープ：PET, PE, PEF TOP TAPE:PET,PE,PEF
リール：ポリスチレン (PS) REEL:POLYSTYRENE(PS)
<リサイクル材を含む> <RECYCLE MATERIAL CONTAIND>
5. 本製品は53353-**-91の鉛フリー品である。
THIS PRODUCT IS LEAD FREE OF 53353-**-91.

| | | | | | | |
|--------------------------------|------|------|-----|-----|--------------|---------------|
| 16 | 21.4 | 17.4 | 8.5 | 6.7 | 53353-1671 | 16 |
| | | | 7.7 | 5.9 | 53353-1471 | 14 |
| | | | 6.9 | 5.1 | 53353-1271 | 12 |
| | | | 6.1 | 4.3 | 53353-1071 | 10 |
| キャリアテープ幅 CARRIER TAPE WIDTH | D | C | (B) | (A) | MATERIAL NO. | 極数 CIRCUIT |

MODEL NO. 53353-**-71

| | | | | | | | |
|---|---------------------------------------|--|----------------------------------|--------------------|--|------------------------|------------------------|
| REVISED EC NO: J2005-2159 DRAWN:KENSUZUKI 2005/01/26 CHKD:NUKITA 2005/01/26 APPR:NUKITA 2005/02/02 REV A | GENERAL TOLERANCES (UNLESS SPECIFIED) | | DIMENSION STYLE MM ONLY | | SCALE --- | DESIGN UNITS METRIC | THIRD ANGLE PROJECTION |
| | 10 UNDER | ±0.2 | DRAWN BY YWADA | DATE 2004/03/04 | TITLE 0.8 BTB CONN WAFER ASSY ST SMT WITHOUT BOSS EMBTP PKG -LEAD FREE- | | |
| | 10 OVER 30 UNDER | ±0.25 | CHECKED BY MSASAO | DATE 2004/03/04 | APPROVED BY MSASAO 2004/03/04 | | |
| | 30 OVER | ±0.3 | APPROVED BY MSASAO 2004/03/04 | | MOLEX INCORPORATED | | |
| | ANGULAR | ±3 ° | MATERIAL NO. SEE CHART | | DOCUMENT NO. SD-53353-004 | SHEET NO. 1 OF 2 | |
| DRAFT WHERE APPLICABLE MUST REMAIN WITHIN DIMENSIONS | | THIS DRAWING CONTAINS INFORMATION THAT IS PROPRIETARY TO MOLEX INCORPORATED AND SHOULD NOT BE USED WITHOUT WRITTEN PERMISSION | | | | | |



| 32mm 幅キャリアテープ | | 32mm WIDTH CARRIER TAPE | | | | |
|--------------------------------|------|-------------------------|------|------|--------------|---------------|
| 32 | 37.4 | 33.4 | 18.1 | 16.3 | 53353-4071 | 40 |
| | | | 16.5 | 14.7 | 53353-3671 | 36 |
| 24 | 29.4 | 25.4 | 14.1 | 12.3 | 53353-3071 | 30 |
| | | | 13.3 | 11.5 | 53353-2871 | 28 |
| | | | 10.9 | 9.1 | 53353-2271 | 22 |
| | | | 10.1 | 8.3 | 53353-2071 | 20 |
| | | | 9.3 | 7.5 | 53353-1871 | 18 |
| キャリアテープ幅 CARRIER TAPE WIDTH | D | C | (B) | (A) | MATERIAL NO. | 極数 CIRCUIT |

| | | | | | | |
|---|---------------------------------------|-------------|-----------------|--------------------|---|------------------------|
| REVISED EC NO: J2005-2159 DRAWN: KENSUJUKI CHK'D: NUKITA APPR: NUKITA 2005/01/26 2005/01/26 2005/02/02 | GENERAL TOLERANCES (UNLESS SPECIFIED) | | DIMENSION STYLE | SCALE | DESIGN UNITS | THIRD ANGLE PROJECTION |
| | | | MM ONLY | --- | METRIC | |
| | 10 UNDER | ±0.2 | DRAWN BY | DATE | TITLE | |
| | 10 OVER 30 UNDER | ±0.25 | YWADA | 2004/03/04 | 0.8 BTB CONN WAFER ASSY ST SMT WITHOUT BOSS EMBTP PKG -LEAD FREE- | |
| 30 OVER | ±0.3 | CHECKED BY | DATE | MOLEX INCORPORATED | | |
| ANGULAR | ±3° | MSASAO | 2004/03/04 | MATERIAL NO. | | |
| DRAFT WHERE APPLICABLE MUST REMAIN WITHIN DIMENSIONS | | APPROVED BY | DATE | DOCUMENT NO. | | |
| | | MSASAO | 2004/03/04 | SD-53353-004 | | |
| | | SEE CHART | | SHEET NO. | | |
| | | SIZE A3 | | 2 OF 2 | | |